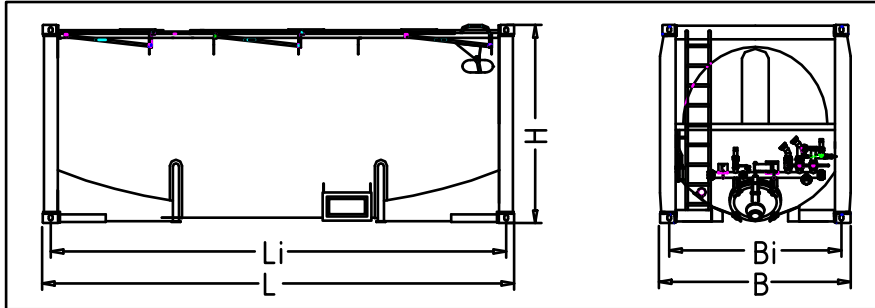


Spitzer Silo- Fahrzeugwerke GmbH, 74834 Elztal
Container CK-BI 20/27

1/1

Technical specifications according to DIN 70020, Technical changes reserved



Technical specifications:

Total length	L	6,058 mm
Distance hole to hole	Li	5,853 mm
Height	H	2,600 mm
Overall width	B	2,500 mm
Distance hole to hole	Bi	2,259 mm
Volume	V	approx. 27 m ³

GVW	34 to.
Payload	approx. 32.10 to.
Tare weight of vessel	approx. 1.90 to.
Manholes	DN 450 / [3x]
Outlet system	DN 550 / [1x]
Chambers	1
Operating temperature	-40°C / +80°C
Operating / Test pressure	2 bar / 3 bar