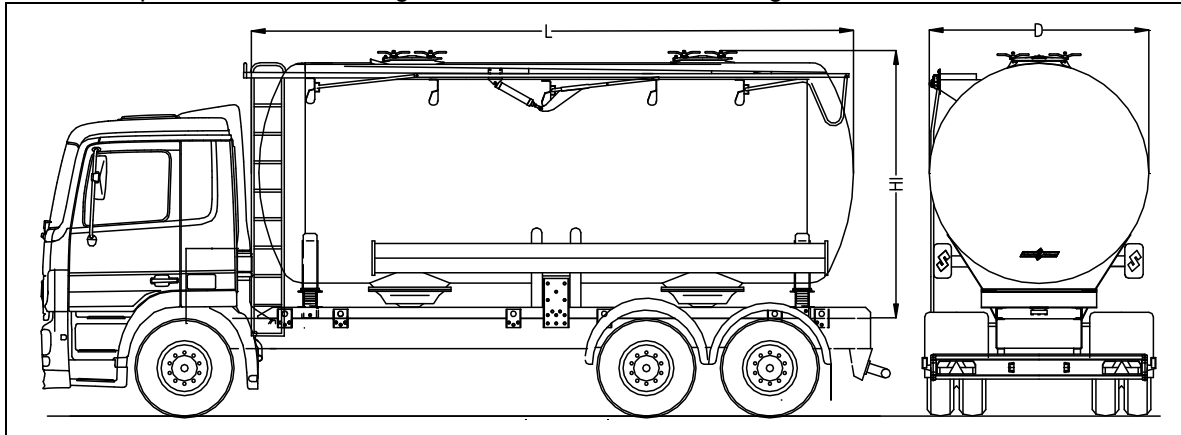


Technical specifications according to DIN 70020, Technical changes reserved



**Technical specifications:**

Total length, mounted unit	L	approx. 6,550 mm
Diameter of vessel	D	2,400 mm
Height above top of chassis frame	Hl	approx. 2,900 mm
Tare weight of vessel, mounted		approx. 1.8 to
Mounted		approx. 2.0 to

Volume	V	approx. 23 m <sup>3</sup>
Chambers	Anz.	1
Manholes		DN 450 / [2x]
Outlet system		DN 800 / [2x]