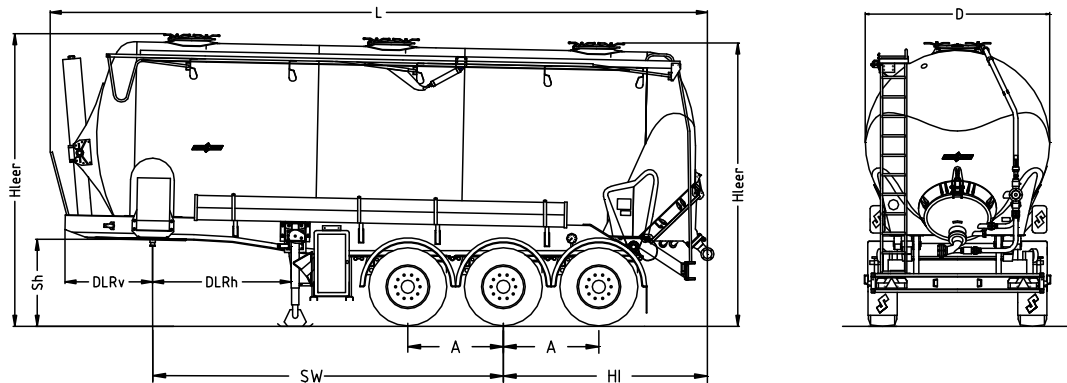


Spitzer Silo - Fahrzeugwerke GmbH, 74834 Elztal

SK 2738 CAL

Technical specifications according to DIN 70020, Technical changes reserved



Technical specifications:

Total length	L	approx. 9,150 mm
Diameter of vessel	D	2,550 mm
Height unloaded	Hleer	approx. 4,000 mm
5 th wheel height loaded	Sh	approx. 1,200 mm
Front swing turning radius	DLRv	approx. 1,200 mm
Rear swing turning radius	DLRh	approx. 1,900 mm
Wheel base	Sw	approx. 4,810 mm
Distance between the axles	A	approx. 1,310 mm
Center axle to end of vehicle	HI	approx. 2,800 mm
Volume	V	approx. 38 m ³

Semi-trailer adm. total weight	39 to.
Semi-trailer axle load	27 to.
Semi-trailer tare weight	approx. 5 to.
5 th wheel load	12 to.
Axle assembly	3 x 9 to. luftgedert
Tyres	385/65 R22.5 / [6x]
Manholes	DN 450 / [3x]
Outlet system	DN 800 / [1x]
Chambers	1
Operating temperature	-40°C / +80°C
Operating / Test pressure	2 bar / 3 bar