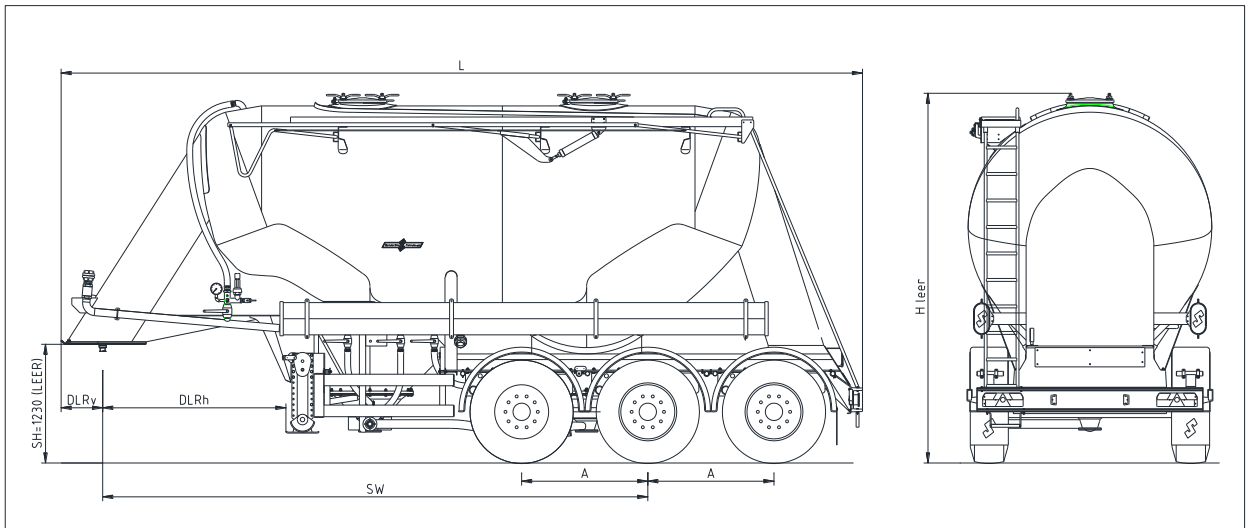


Spitzer Silo - Fahrzeugwerke GmbH, 74834 Elztal

SF 2725/2 P

Technical specifications according to DIN 70020, Technical changes reserved



Technical specifications:

Total length	L	approx. 8,320 mm
Diameter of vessel	D	2,550 mm
Height unloaded	Hleer	approx. 3,820 mm
Front swing turning radius	DLRv	approx. 510 mm
Rear swing turning radius	DLRh	approx. 2,250 mm
Wheel base	Sw	approx. 5,660 mm
Distance between the axles	A	approx. 1,310 mm
Volume	V	approx. 25 m ³
Chambers	Anz.	1

Semi-trailer adm. total weight	39 to.
Semi-trailer axle load	27 to.
Semi-trailer tare weight	approx. 4.15 to.
5 th wheel load	12 to.
Axle assembly	3 x 9 to. luftgedert
Tyres	385/65 R22.5/[6x]
Manholes	DN 450 /[2x]
Outlet system	DN 800 /[2x]
Operating temperature	-40°C/+80°C
Operating / Test pressure	2 bar/3 bar